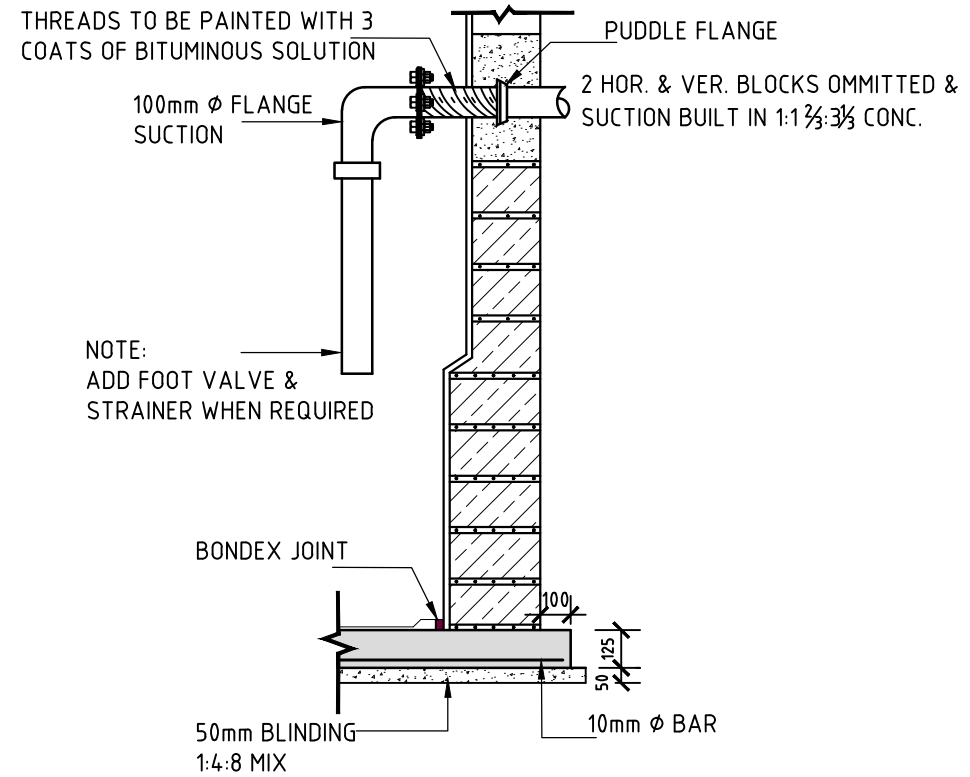


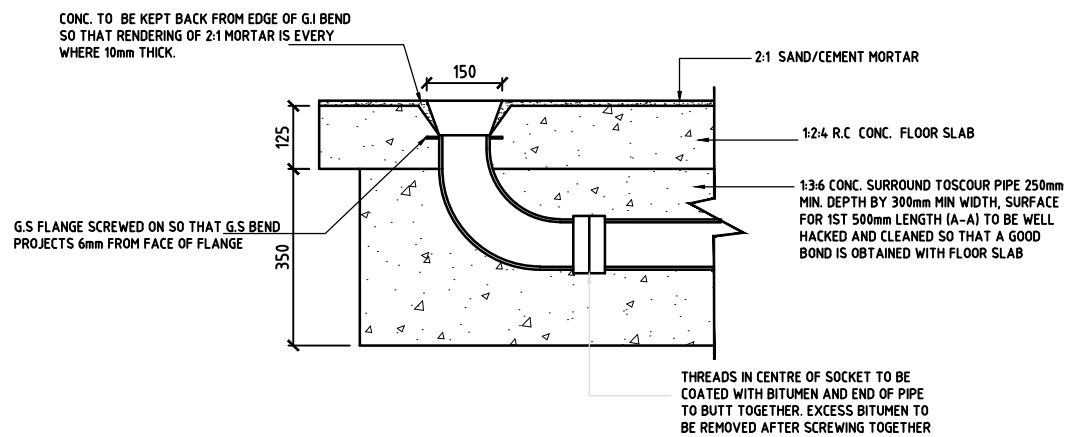
SECTION THRO' TANK ON CENTRE LINE

SCALE 1:50



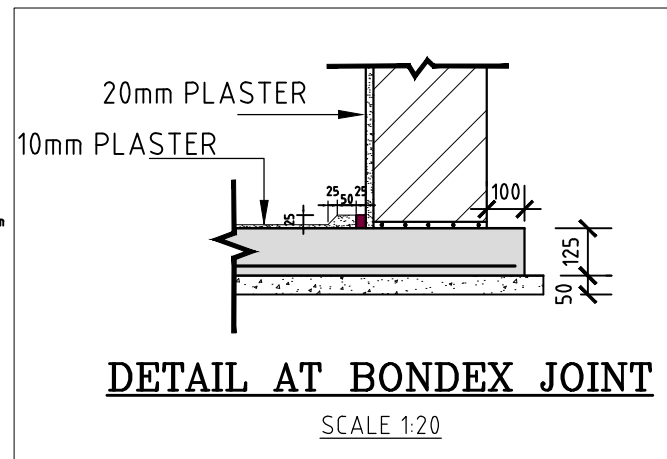
SUCTION PIPE ARRANGEMENT

SCALE 1:25



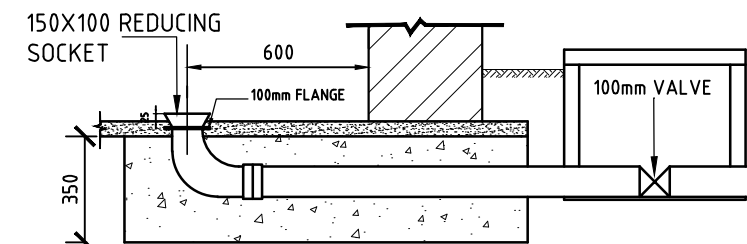
DETAIL OF 100mm SCOUR PIPE

SCALE 1:15



DETAIL AT BONDEX JOINT

SCALE 1:20



TYPICAL ARRANGEMENT OF 100 mm OUTLET

SCALE 1:25

CENTRAL RIFT VALLEY WATER
WORKS DEVELOPMENT AGENCY



225 M³ STORAGE TANK